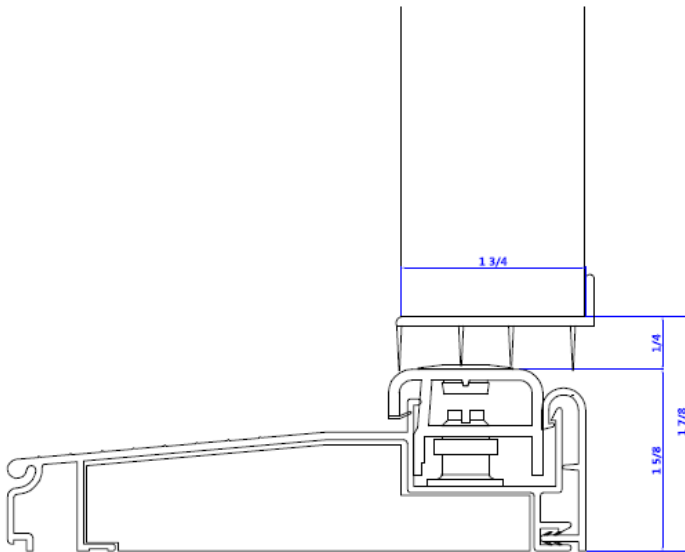


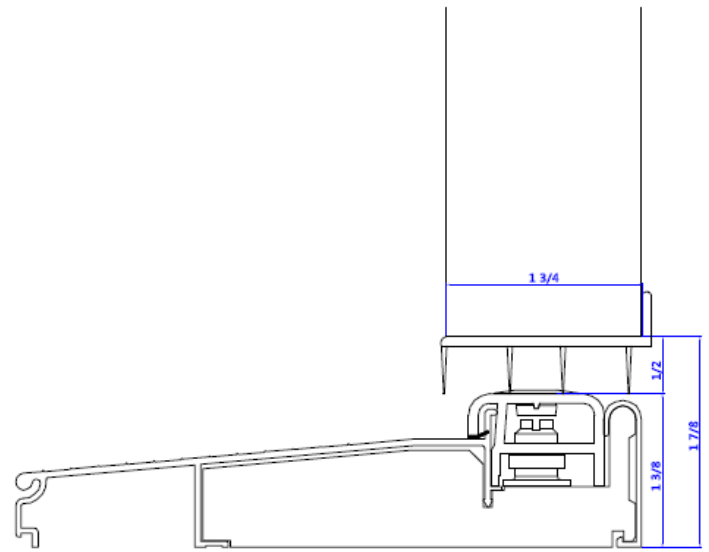


## Threshold Installation and Adjustment Details

---



Raised Sill Position



Standard Sill Position

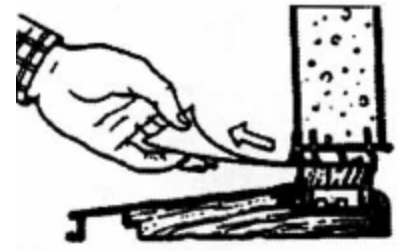
As designed, bottom of sill is 1-7/8" below bottom of door. In the standard sill position, the gap at the bottom of the door is 1/2" with sill height at 1-3/8". Fins on the door sweep are 9/16" in height. This allows for a 1/16" overlap of the fins that provides an air and light barrier between the outside and inside.

Due to manufacturing and installation tolerances, adjustments to the sill height might be required. The floor upon which the sill rests should be square and level before making adjustments. Before proceeding, also ensure that the jamb leg protectors are removed from the bottom of the legs. Not removing these before installation will cause the sill to form a "belly" with the center of the sill lower than the edges. Test the entire door frame to ensure all parts are level and square before proceeding.

On the following page, steps to test the threshold seal can be found. If an adjustment is needed, first remove small plugs on threshold cap. Use a small screwdriver so that damage is not done to the plug hole and turn the exposed screws in a clockwise direction to raise.

### Steps to test threshold seal:

1. Close door on a piece of paper placed over the threshold.
2. Pull paper between the sweep of the door and the threshold.
3. If the threshold is properly adjusted, you should feel some tension, but, if the paper tears, the door seal is too tight. If there is no tension on the paper, the door seal is too loose.



### To properly adjust the threshold if the seal is too loose:

1. Remove small plugs on threshold cap.
2. Place a level on the threshold cap.
3. Using a properly sized screwdriver, turn the screws in a clockwise direction.
4. Turn each screw the same amount of turns. Check the level to ensure cap has been evenly raised.
5. Repeat paper test above and continue adjustment as needed.

### To properly adjust threshold if seal is too tight:

1. As designed, the seal should not be too tight with a 1/16" overlap. Before adjusting, check frame and opening to ensure it is square, level, and plumb. Additionally, open and close door to test sweep. The fins on the sweep might be slightly stiff.
2. If no previous adjustments have been made, the threshold cannot be lowered from its originally built position. Contact your salesman for further discussion.
3. If the threshold has previously been adjusted:
  - a. Remove small plugs on threshold cap.
  - b. Place a level on the threshold cap.
  - c. Using a properly sized screwdriver, turn the screws in a counter-clockwise direction.
  - d. Turn each screw the same amount or turns. Check the level to ensure cap has been evenly raised.
  - e. Repeat paper test above and continue adjustment as needed.

## Head and foot bolt installation

---

1. Confirm all measurements and ensure proper fit by following previous steps for threshold adjustment.
2. Locate both the head and foot bolt installation plates (each are 1/16" thick).
3. After door installation, close the inactive door and engage the mechanism on each lock. Mark the location where the bolt touches the head jamb and threshold.
4. Using a 3/8" drill bit, drill a hole at the marked location at least 1/2" deep in each spot.
5. Align the installation plates over the holes and, using screws provided, attach plates to head jamb and threshold.
6. Close inactive door and engage locks to secure door.